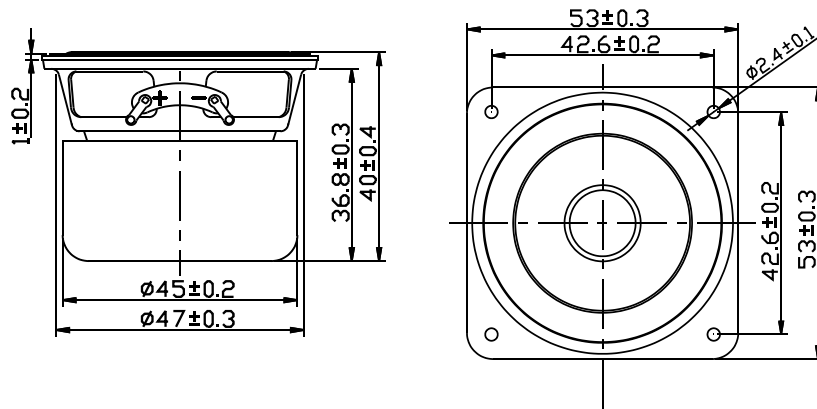


F SERIES

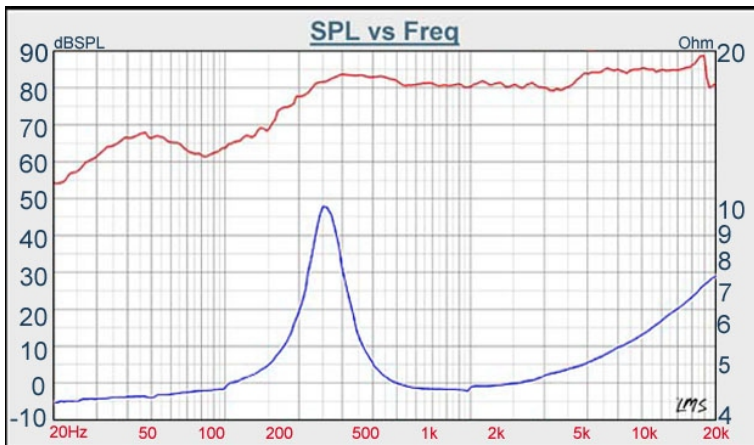
W2-858S



- FULL RANGE DESIGN
- STAMPED STEEL BASKET, MAGNETICALLY SHIELDED
- PAPER CONE WITH CLOTH SURROUND
- GOOD FOR CAR, HOME THEATER, MULTIMEDIA APPLICATION

2" PAPER FULL RANGE

DIAPHRAGM MTL	Paper
SURROUND MTL	Cloth
NOMINAL IMPEDANCE	4
DCR IMPEDANCE	3.6
SENSITIVITY 1W/1m	85 dB
FREQUENCY RESPONSE	290-20K Hz
FREE AIR RESONANCE	290 Hz
VOICE COIL DIAMETER	13 mm
AIR GAP HEIGHT	2 mm
RATED POWER INPUT	3 W
MAXIMUM POWER INPUT	6 W
FORCE FACTOR, BL	1.27 TM
MAGNET WEIGHT (1 oz)	34 g
MOVING MASS	0.5 g
FERROFLUID ENHANCED	No
SUSPENSION COMPLIANCE	700 MN ⁻¹
EFFECTIVE PISTON AREA	0.0013M ²
Levc	0.854 mH
Zo	9.6955 ohm.
X-max	0.35 mm
Vas	0.17 Liter.
Qts	1.09
Qms	2.94
Qes	1.74



TB SPEAKERS

P.O. BOX 10-53 NEI HU, TAIPEI, TAIWAN
VOICE 886.2.26570282 FAX 886.2.26580166