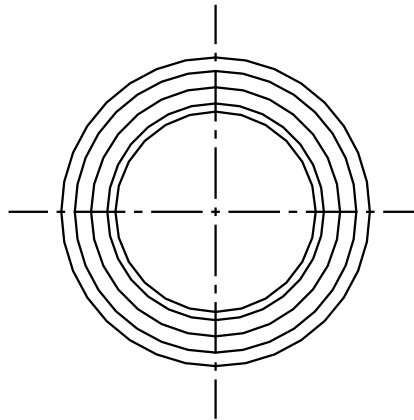
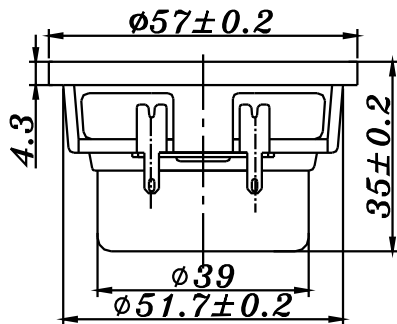


F SERIES

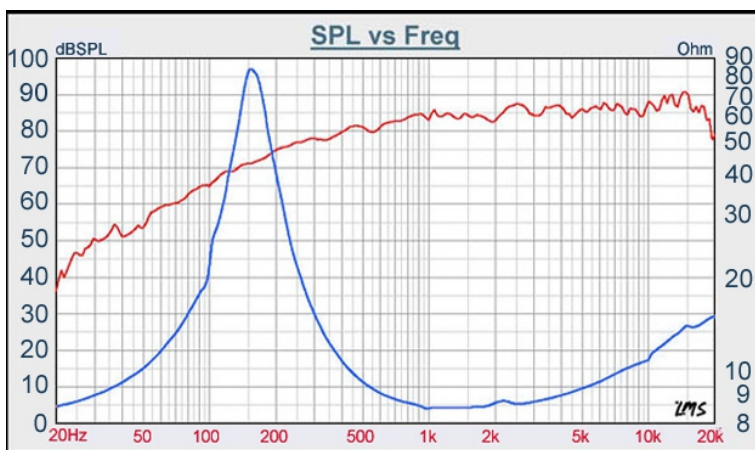
W2-748SG



- FULL RANGE WIDE DISPERSION DESIGN
- ABS BASKET
- INVERTED ALUM./MG WITH TPR SURROUND
- NEODYMIUM MAGNET DESIGN
- GOOD FOR MULTI-MEDIA, HOME THEATER, CAR APPLICATION

2" ALUM. / MG ALLOY FULL RANGE

DIAPHRAGM MTL	Alum. / Mg Alloy
SURROUND MTL	TPR
NOMINAL IMPEDANCE	8 Ω
DCR IMPEDANCE	7.2 Ω
SENSITIVITY 1W/1m	86 dB
FREQUENCY RESPONSE	160 - 20K Hz
FREE AIR RESONANCE	160 Hz
VOICE COIL DIAMETER	25.4 mm
AIR GAP HEIGHT	3.0 mm
RATED POWER INPUT	10 W
MAXIMUM POWER INPUT	20 W
FORCE FACTOR, BL	5.35 TM
TYPE OF MAGNET	Neodymium
MOVING MASS	1.15 g
FERROFLUID ENHANCED	No
SUSPENSION COMPLIANCE	914.456 μMN^{-1}
EFFECTIVE PISTON AREA	0.0013 M^2
Levc	0.048 mH
Zo	83 Ω
X-max	0.75 mm
Vas	0.22 Litr
Qts	0.26
Qms	2.76
Qes	0.28



VOICE: 886.2.26570282 FAX: 886.2.26580166
E-MAIL: info@tb-speaker.com