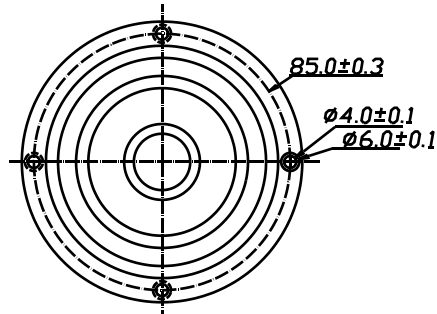
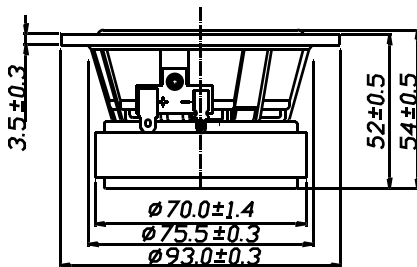


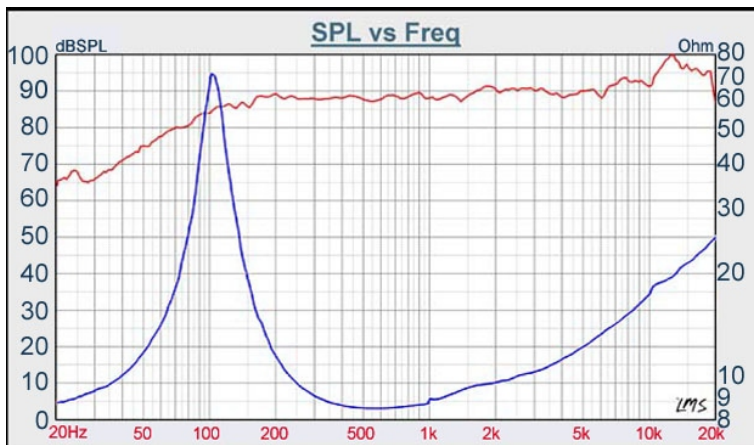
F SERIES

W3-315D



- HIGH POWER LOADING DESIGN
- FULL RANGE FREQUENCY RESPONSE
- DIE CAST BASKET
- ALUM/MG CONE WITH SANTOPRENE SURROUND
- CCAW WITH KAPTON BOBBIN

3" ALUM/MG CONE/ FULL RANGE



DIAPHRAGM MTL	Alum/Mg
SURROUND MTL	Santoprene
NOMINAL IMPEDANCE	8
DCR IMPEDANCE	6.6
SENSITIVITY 1W/1m	87 dB
FREQUENCY RESPONSE	105 - 20kHz
FREE AIR RESONANCE	105 Hz
VOICE COIL DIAMETER	20 mm
AIR GAP HEIGHT	4 mm
RATED POWER INPUT	15 W
MAXIMUM POWER INPUT	30 W
FORCE FACTOR, BL	3.89 TM
MAGNET WEIGHT (8 oz)	216 g
MOVING MASS	2 g
FERROFLUID ENHANCED	No
SUSPENSION COMPLIANCE	1152 MN ⁻¹
EFFECTIVE PISTON AREA	0.0032 M ²
Levc	0.2034 mH
Zo	70.3552 ohm
X-max	1 mm
Vas	1.7 Liter
Qts	0.52
Qms	5.51
Qes	0.57

TB SPEAKERS

P.O. BOX 10-53 NEI HU, TAIPEI, TAIWAN
 VOICE 886.2.26570282 FAX 886.2.26580166
 E-MAIL : INFO@TB-SPEAKER.COM