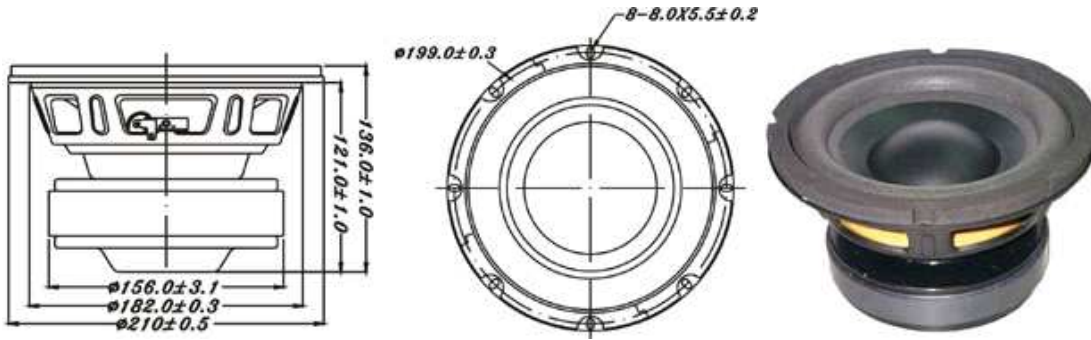


SU SERIES

W8-740P



- LONG THROW HIGH POWER LOADING DESIGN (Xmax=12mm)
- PAPER CONE WITH FOAM SURROUND (LIGHT WEIGHT & HIGH STIFFNESS)
- VENTED POLE PIECE
- STAMPED STEEL BASKET
- SUITABLE FOR SUBWOOFER APPLICATION
- MAGNETIC VOICE COIL

8" PAPER SUBWOOFER



DIAPHRAGM MTL	Paper
SURROUND MTL	Foam
NOMINAL IMPEDANCE	4 W
DCR IMPEDANCE	3.2 W
SENSITIVITY 1W/1m	84 dB
FREQUENCY RESPONSE	28-1K Hz
FREE AIR RESONANCE	28 Hz
VOICE COIL DIAMETER	50 mm
AIR GAP HEIGHT	8 mm
RATED POWER INPUT	150 W
MAXIMUM POWER INPUT	300 W
FORCE FACTOR, BL	13.35 TM
MAGNET WEIGHT (50oz)	1427 g
MOVING MASS	95 g
FERRO FLUID ENHANCED	No
SUSPENSION COMPL.	333 uMN ⁻¹
EFFEC.PISTON AREA	0.022 M ²
Levc	3.18 mH
Zo	113.99 ohm
X-max	12 mm
Vas	23 Litr.
Qts	0.30
Qms	10.53
Qes	0.30



VOICE: 886.2.26570282 FAX: 886.2.26580166
E-MAIL: info@tb-speaker.com

CLOSE