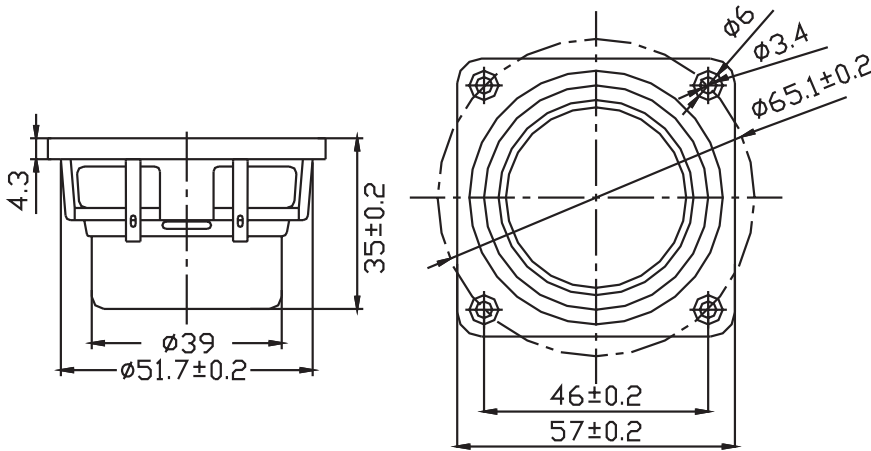


F

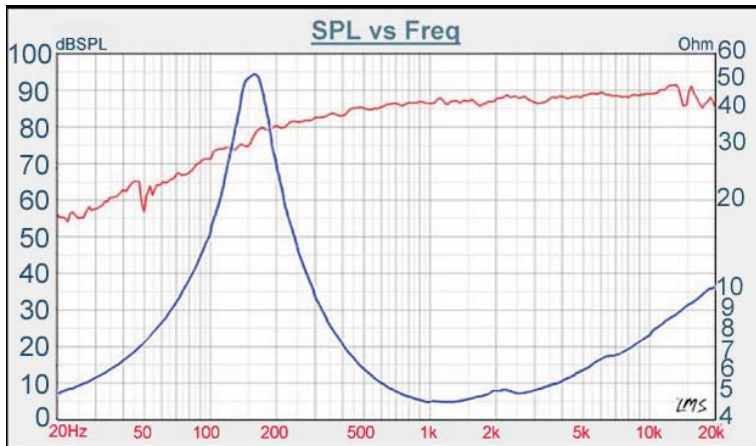
SERIES

W2-800SF



- FULL RANGE DESIGN
- ABS BASKET
- INVERTED ALUM./MG WITH TPR SURROUND
- NEODYMIUM MAGNET DESIGN
- GOOD FOR MULTI-MEDIA, HOME THEATER, CAR APPLICATION
- MAGNETICALLY SHIELDED

2" ALUM./MG FULL RANGE



DIAPHRAGM MTL	Alum/Mg
SURROUND MTL	TPR
NOMINAL IMPEDANCE	4 Ω
DCR IMPEDANCE	3.5 Ω
SENSITIVITY 1W/1m	87 dB
FREQUENCY RESPONSE	155-20K Hz
FREE AIR RESONANCE	155 Hz
VOICE COIL DIAMETER	25.4 mm
AIR GAP HEIGHT	3 mm
RATED POWER INPUT	10 W
MAXIMUM POWER INPUT	20 W
FORCE FACTOR, BL	3.70 TM
MAGNET WEIGHT (oz)	Neodymium
MOVING MASS	1.04 g
FERROFLUID ENHANCED	No
SUSPENSION COMPLIANCE	959.39 MN ⁻¹
EFFECTIVE PISTON AREA	0.0013M ²
Levc	0.02 mH
Zo	51.89 ohm
X-max	1 mm
Vas	0.23 Litr
Qts	0.25
Qms	3.68
Qes	0.27



Blue planet acoustic
 Königsbergerstr 3a
 65760 Eschborn
www.blueplanetacoustic.com