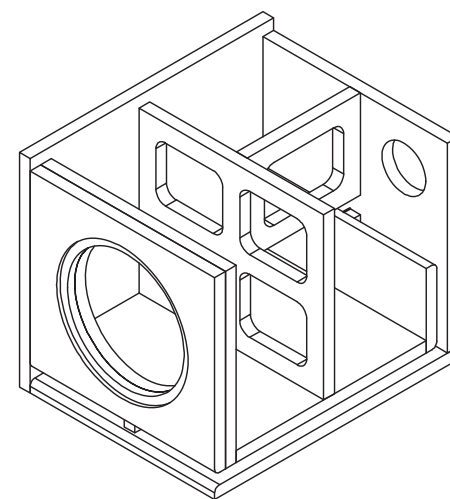
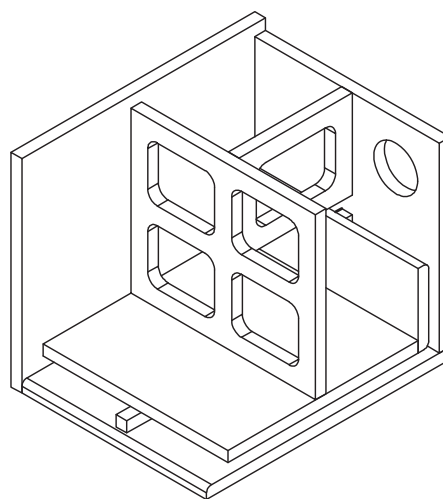
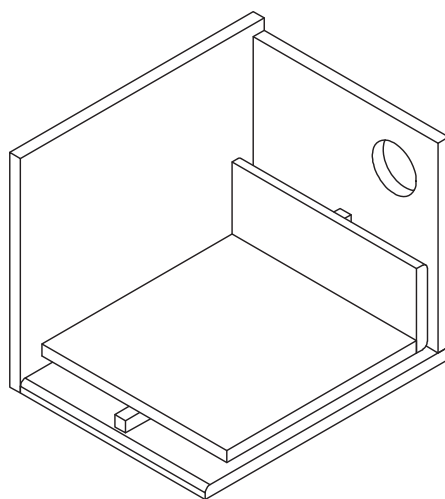
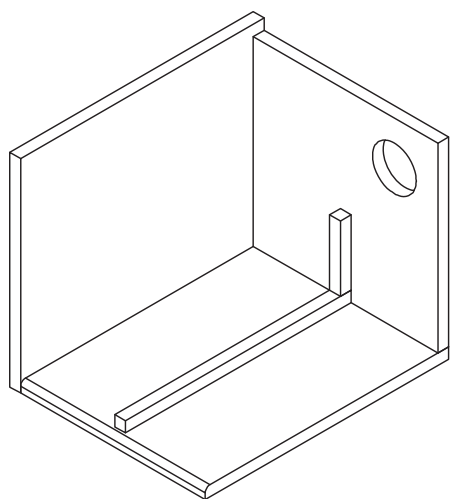


Bassreflex subwoofer enclosure for Redcatt SW 10.8 Series

Terminal, feet & handles are to be added as desired.

Dimensions can be modified as needed
if the enclosure is providing approximately:

- > Volume: 50 l
- > Port area: 78,5 cm²
- > Port length: 60 cm

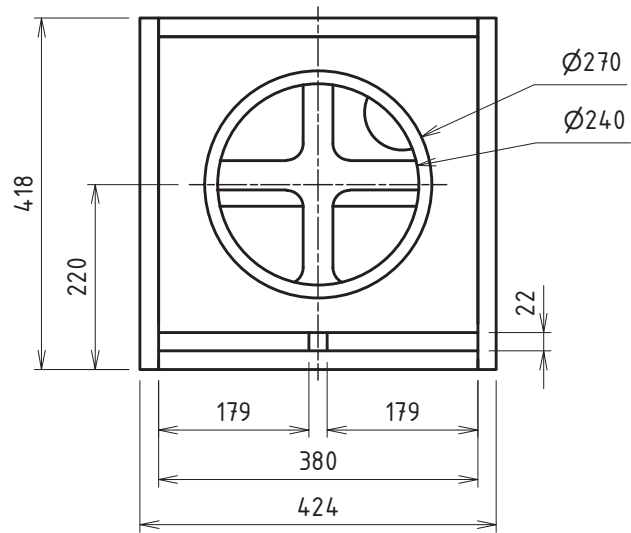


Redcatt Subwoofer 10" BR
BPA Reference Enclosure Nr. 1008

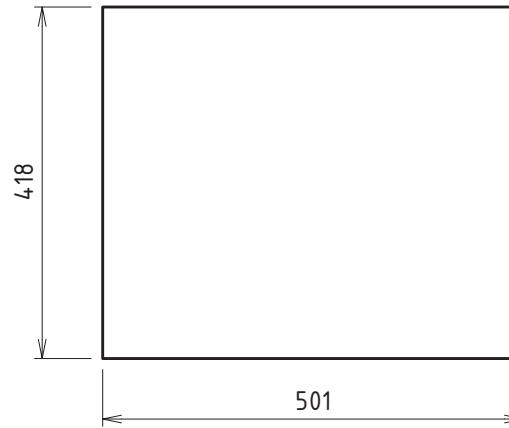
Version 1.0
07.09.2021

Sheet 1 of 3

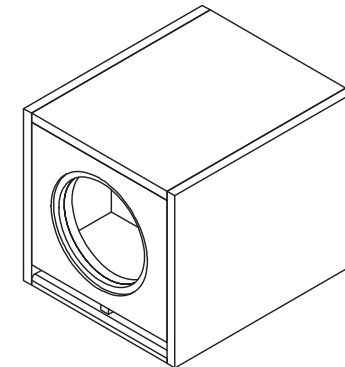
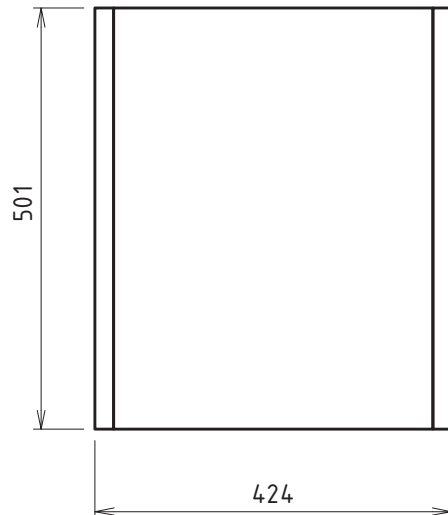
Front View



Side View



Top View

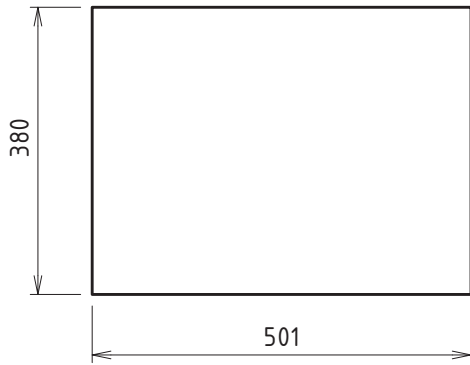


Redcatt Subwoofer 10" BR
BPA Reference Enclosure Nr. 1008

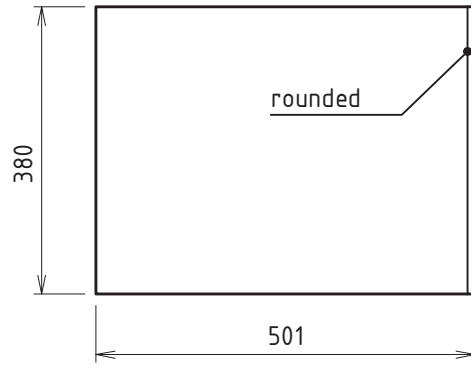
Version 1.0
07.09.2021

Sheet 2 of 3

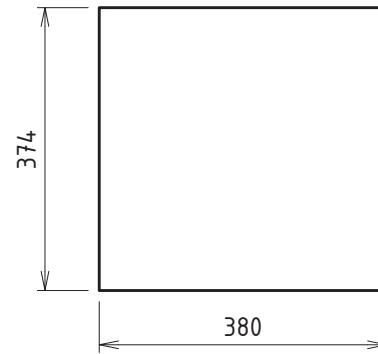
Top Panel



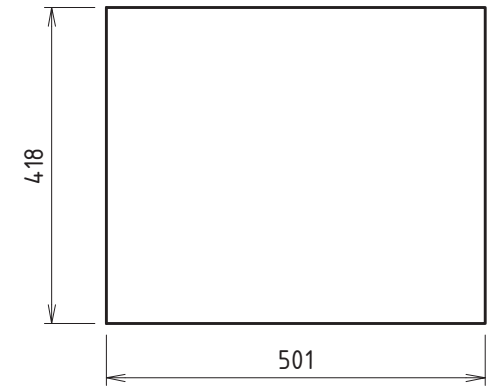
Bottom Panel



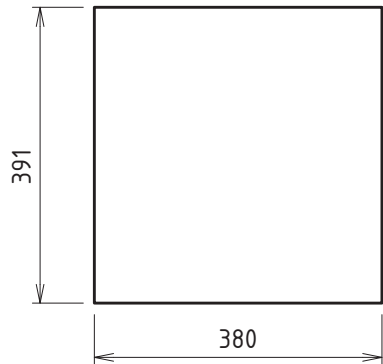
Rear Panel



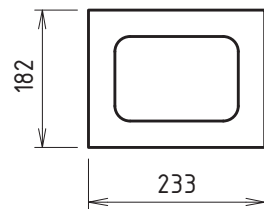
Side Panels (x2)



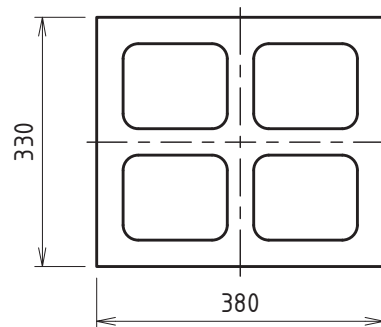
Bottom Port Panel



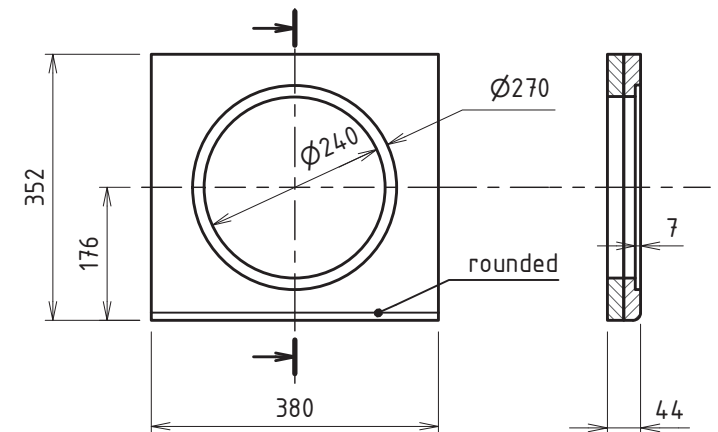
Stiffening 1



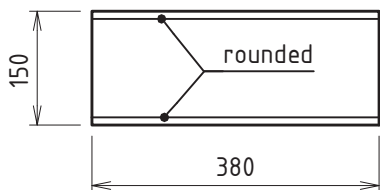
Stiffening 2



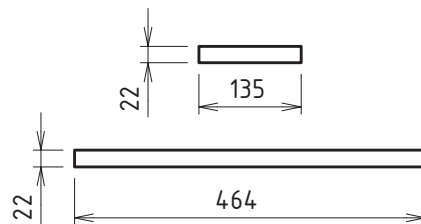
Front Panel



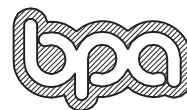
Rear Port Panel



Port Stiffenings



- > Material thickness = 22 mm
- > Stiffening ribs = 35 mm
- > All rounded edges = R 10 mm
- > Always check the actual measurements of the used speaker parts!



Redcatt Subwoofer 10" BR
BPA Reference Enclosure Nr. 1008

Version 1.0
07.09.2021

Sheet 3 of 3