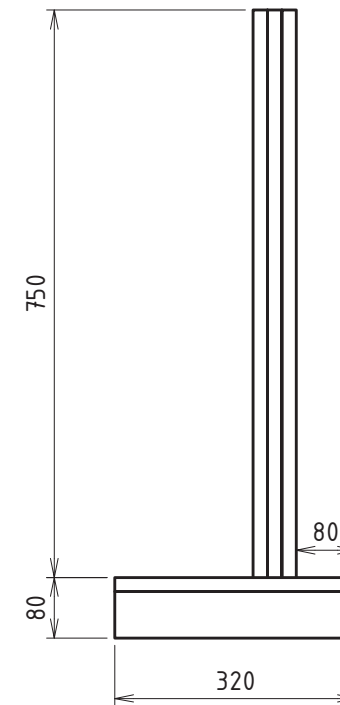
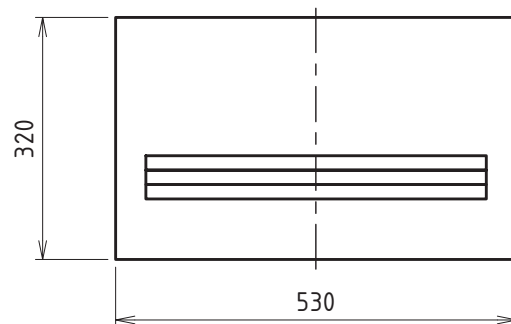


**Side View**



**Top View**



## 2-Way Open Baffle

Top driver: Fullrange / Coax

Bottom Driver: Omnes Audio OBW15PA

- > Material thickness = 19 mm
- > Wireway, terminal & feet are to be added as desired.
- > To ensure optimal fit: Always check the actual measurements of the used parts!



**PowerDuo**

BPA Reference Enclosure Nr. 1022

Version 1.0  
04.11.2021

Sheet 1 of 1