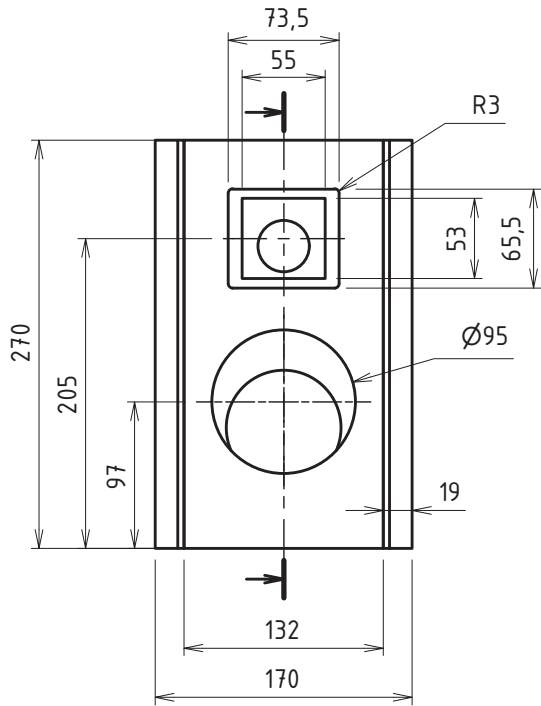
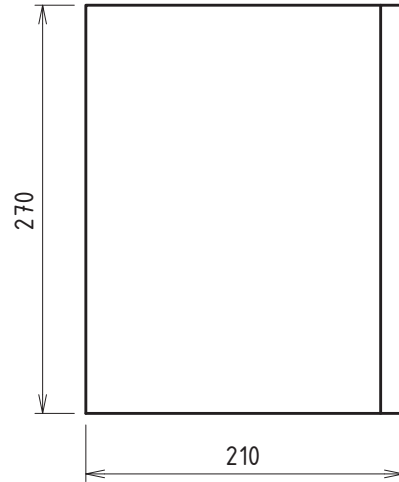


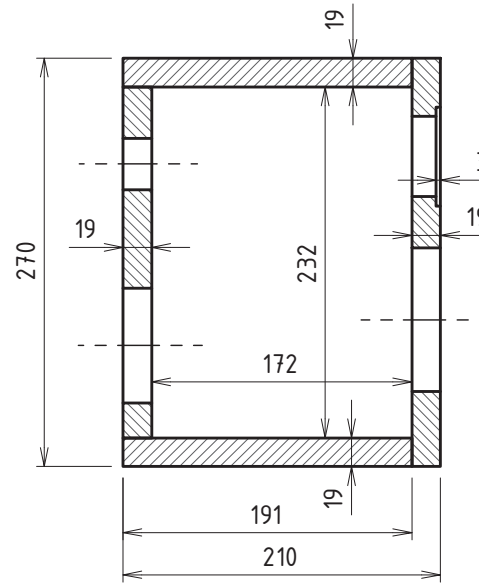
Front View



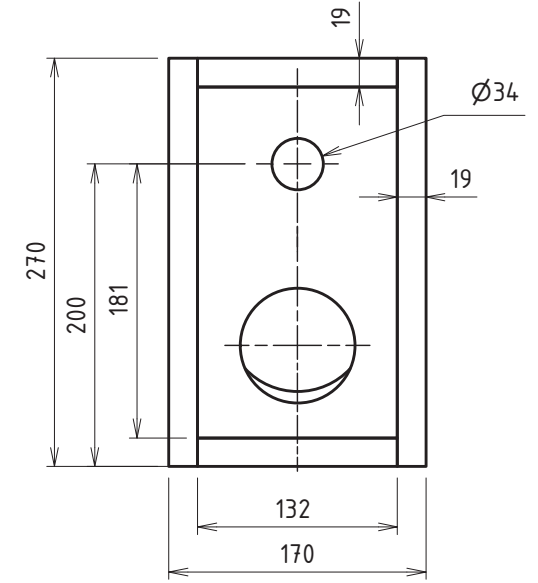
Side View



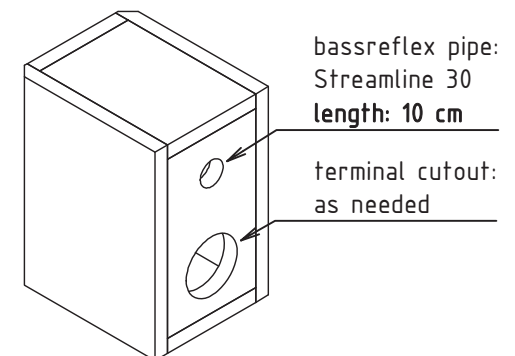
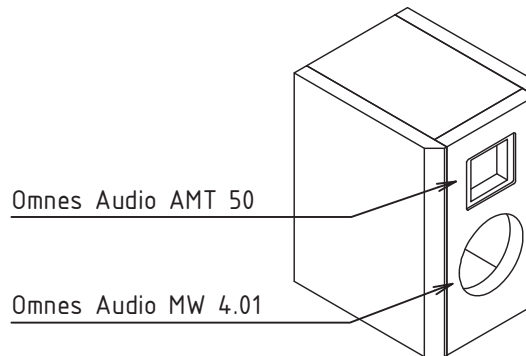
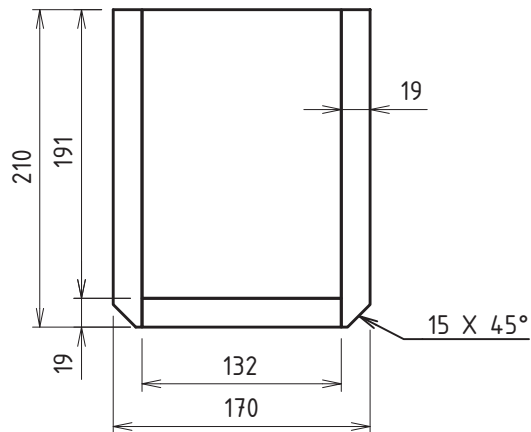
Section View



Back View



Top View



To ensure optimal fit: Always check the actual measurements of the used parts!



Basic 4 AMT

BPA Reference Enclosure Nr. 1031

Version 1.0
02.05.2022

Sheet 1 of 1