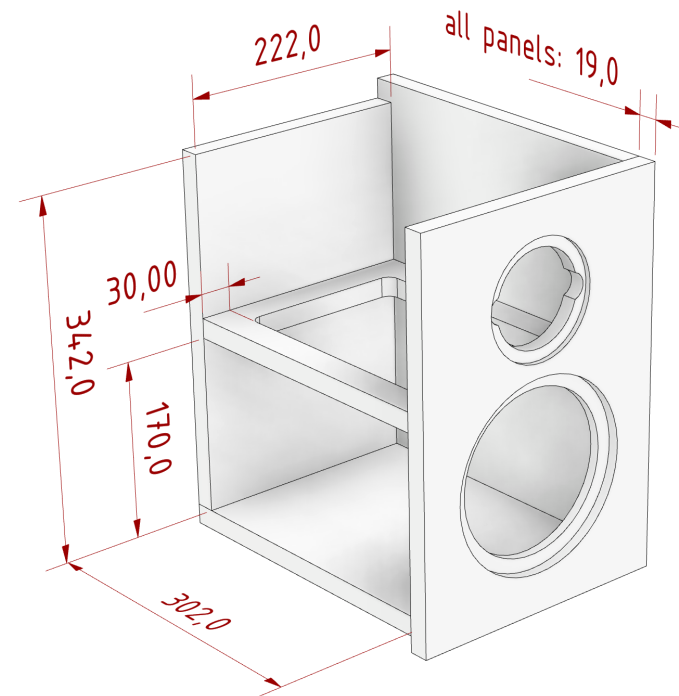
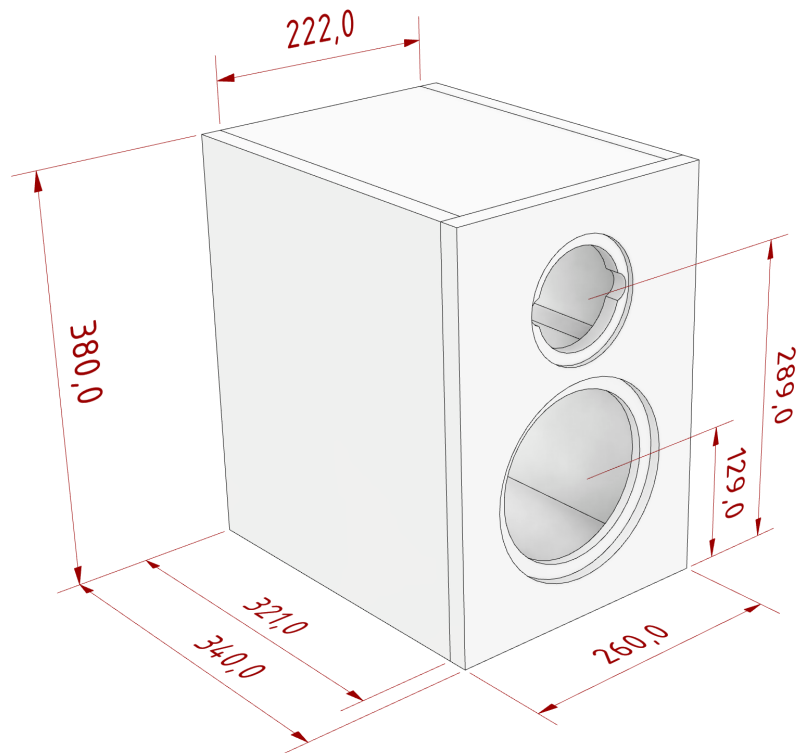


Woofer: Redcatt RC-430C | Tweeter: SICA 110.28

- » Front cutouts according to the datasheets of the used speakerparts.
- » For perfect fit always doublecheck the measurements of your actual parts for tolerances!

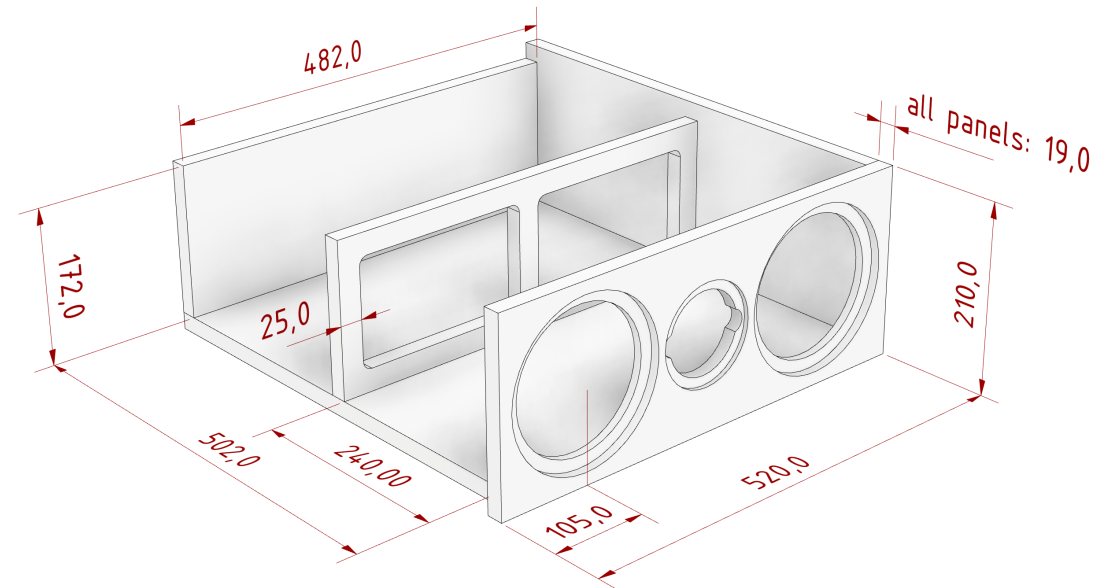
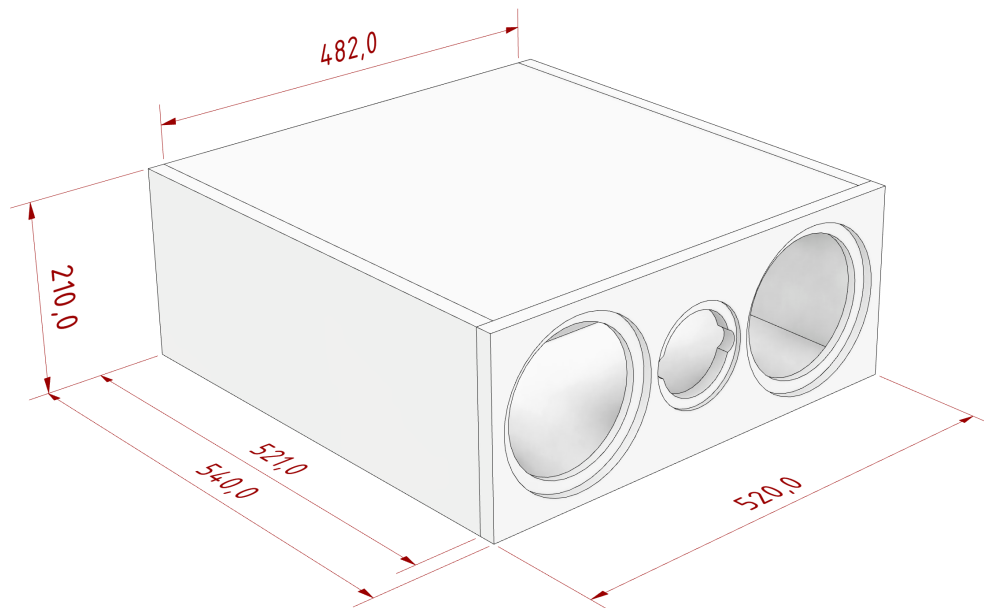
RED Line 6 Sica



Woofer: Redcatt RC-430C | Tweeter: SICA 110.28

- » Front cutouts according to the datasheets of the used speakerparts.
- » For perfect fit always doublecheck the measurements of your actual parts for tolerances!

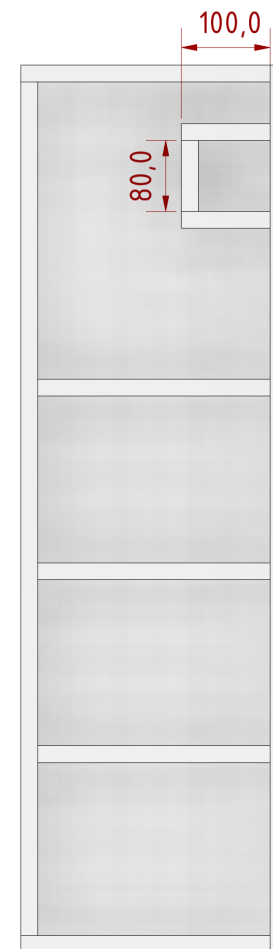
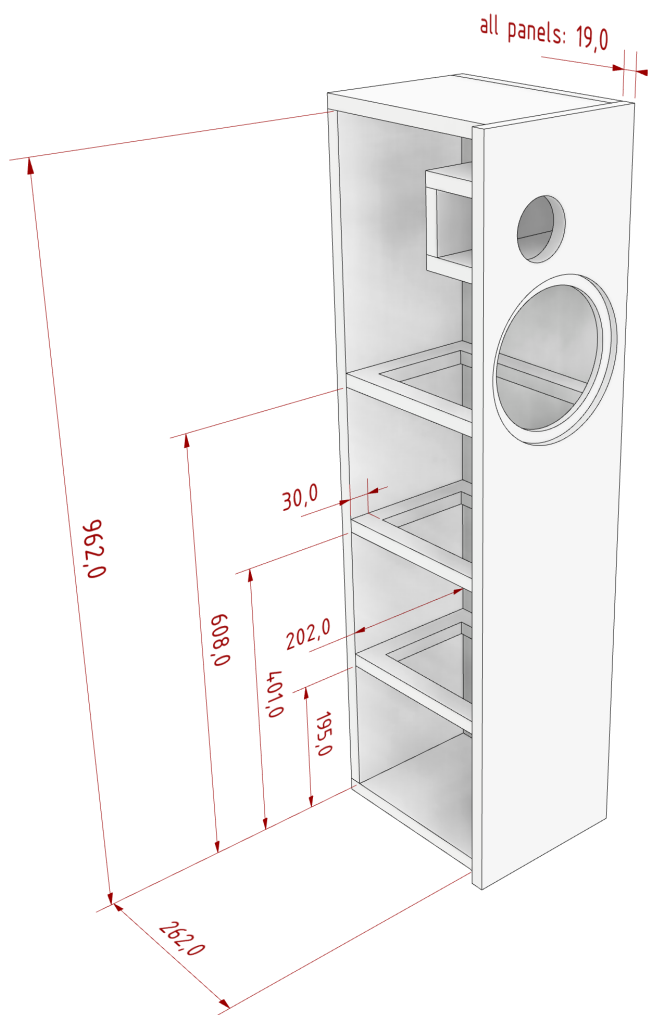
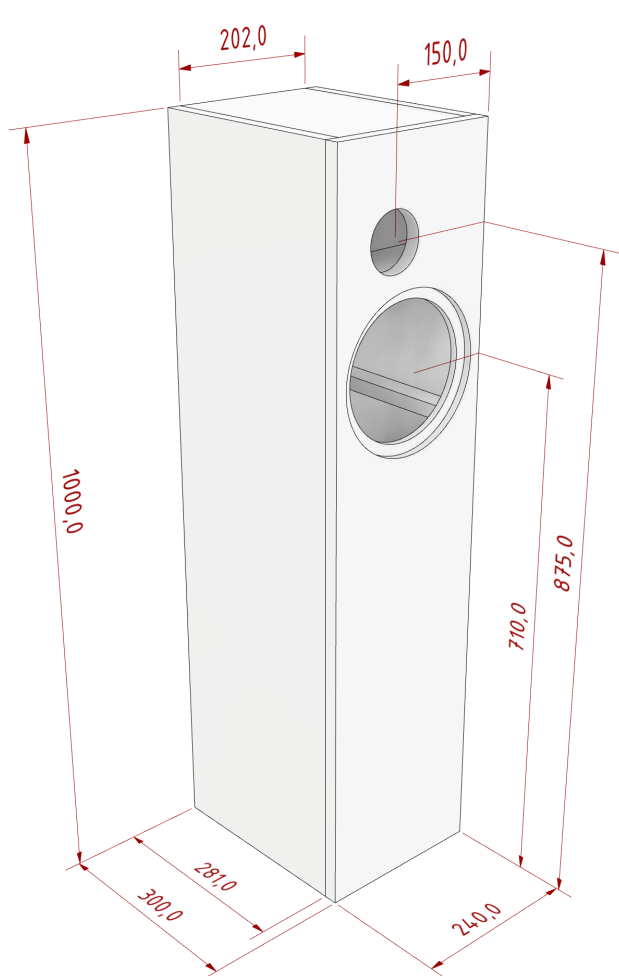
RED Line 6 Sica Bookshelf



Woofer: Redcatt RC-430C | Tweeter: SICA 110.28

- » Front cutouts according to the datasheets of the used speakerparts.
- » For perfect fit always doublecheck the measurements of your actual parts for tolerances!

RED Line 6 Sica Center



Woofer: Redcatt 81FHW | Tweeter: Redcatt 30FF

- » Front cutouts according to the datasheets of the used speakerparts.
- » For perfect fit always doublecheck the measurements of your actual parts for tolerances!

RED Line 8 FAST