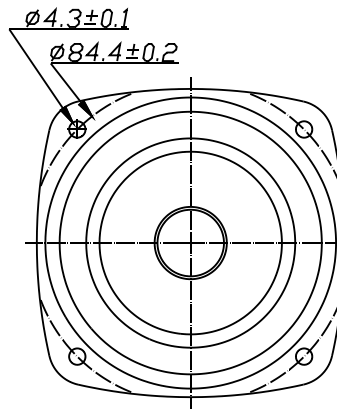
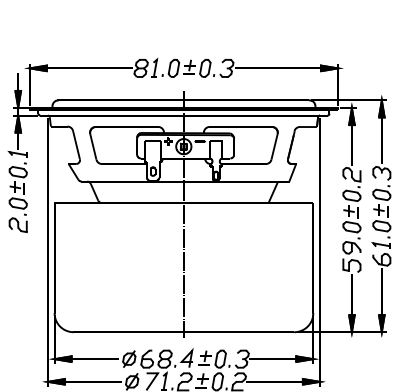


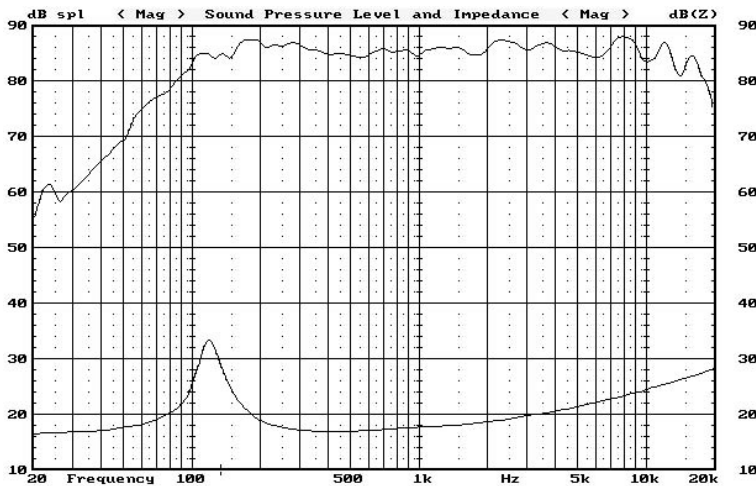
# F SERIES

# W3-665SC



- FULL RANGE FREQUENCY RESPONSE
- STAMPED STEEL BASKET
- PAPER CONE WITH SANTOPRENE SURROUND
- MAGNETICALLY SHIELDED
- ALUM. PHASE PLUG

## 3" PAPER CONE/ FULL RANGE



DIAPHRAGM MTL	Paper
SURROUND MTL	Santoprene
NOMINAL IMPEDANCE	8 Ω
DCR IMPEDANCE	6 Ω
SENSITIVITY 1W/1m	88 dB
FREQUENCY RESPONSE	120 - 20K Hz
FREE AIR RESONANCE	120 Hz
VOICE COIL DIAMETER	20 mm
AIR GAP HEIGHT	4 mm
RATED POWER INPUT	15 W
MAXIMUM POWER INPUT	30 W
FORCE FACTOR, BL	3.2 TM
MAGNET WEIGHT (4 oz)	120 g
MOVING MASS	1.45 g
FERROFLUID ENHANCED	No
SUSPENSION COMPLIANCE	1106 MN <sup>-1</sup>
EFFECTIVE PISTON AREA	0.0032 M <sup>2</sup>
X-max	1 mm
Vas	1.6 Litr
Qts	0.63
Qms	6.88
Qes	0.69

# TB SPEAKERS

P.O. BOX 10-53 NEI HU, TAIPEI, TAIWAN  
 VOICE 886.2.26570282 FAX 886.2.26580166  
 E-MAIL : INFO@TB-SPEAKER.COM