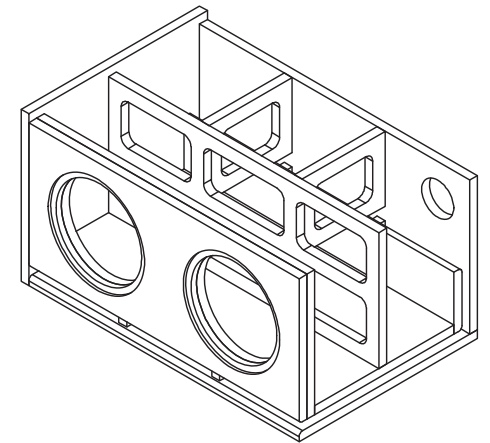
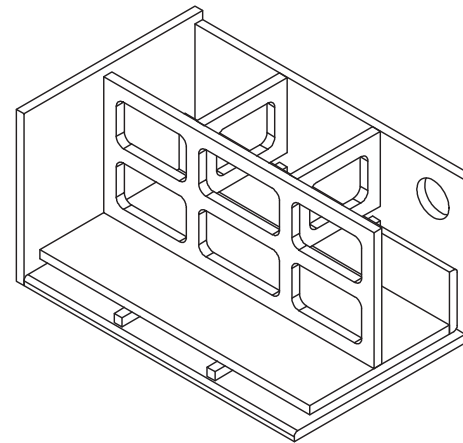
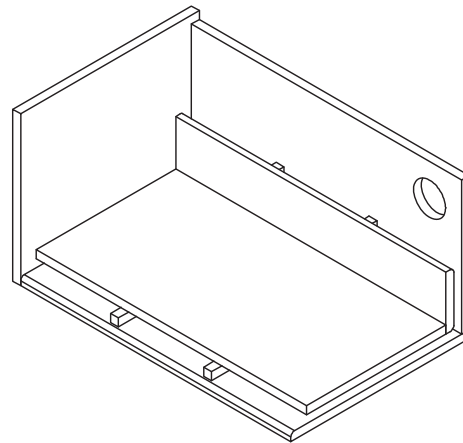
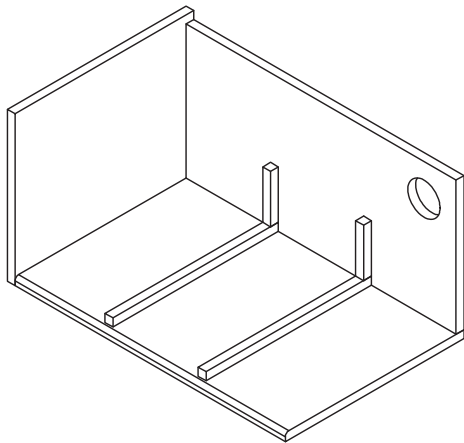


## Dual bassreflex subwoofer enclosure for Redcatt SW 10.8 Series

Terminal, feet & handles  
are to be added as desired.

Dimensions can be modified as needed  
if the enclosure is providing approximately:

- > Volume: 100 l
- > Port area: 157 cm<sup>2</sup>
- > Port length: 60 cm

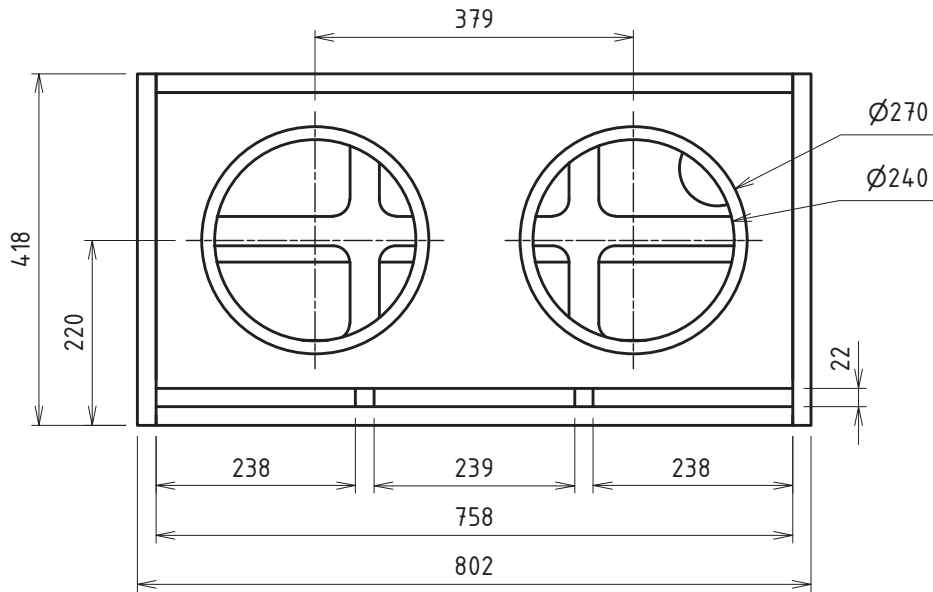


Redcatt Subwoofer 10" BR x2  
BPA Reference Enclosure Nr. 1009

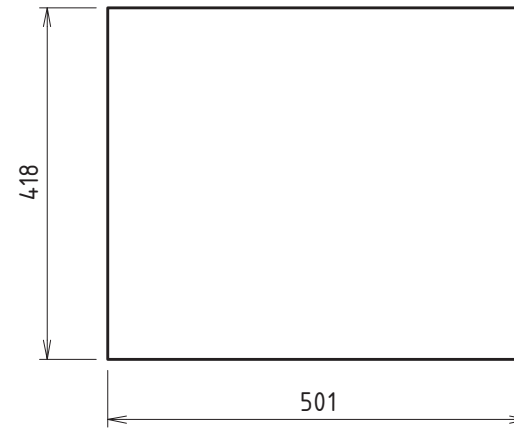
Version 1.0  
07.09.2021

Sheet 1 of 3

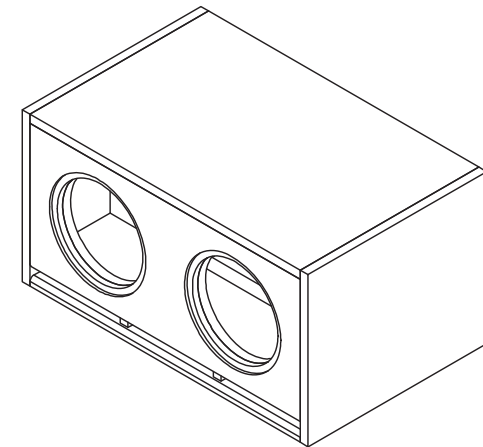
Front View



Side View



Top View

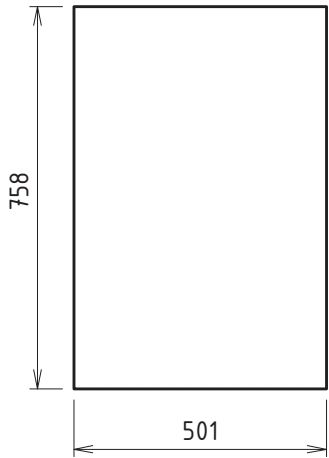


Redcatt Subwoofer 10" BR x2  
BPA Reference Enclosure Nr. 1009

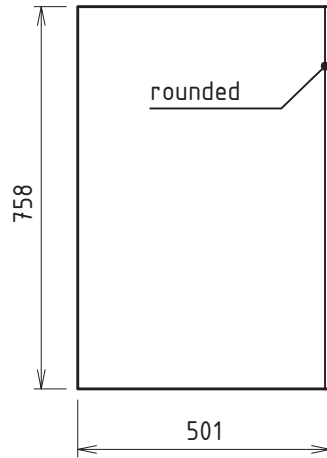
Version 1.0  
07.09.2021

Sheet 2 of 3

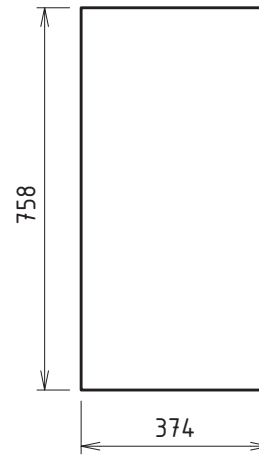
Top Panel



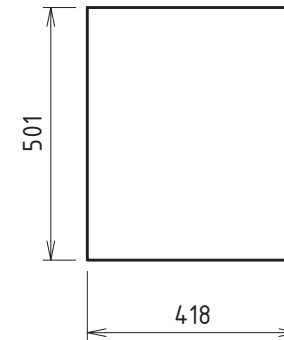
Bottom Panel



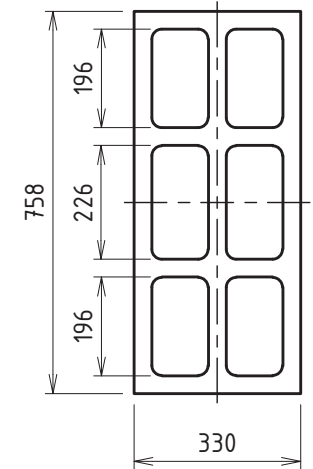
Rear Panel



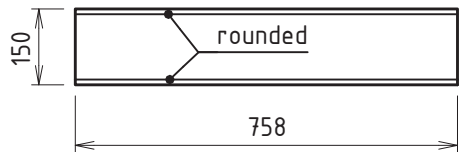
Side Panels (x2)



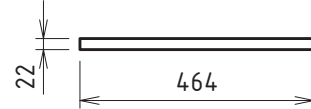
Stiffening



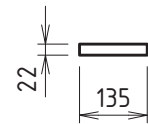
Rear Port Panel



Port Stiffening (x2)



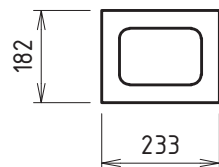
Port Stiffening (x2)



Bottom Port Panel

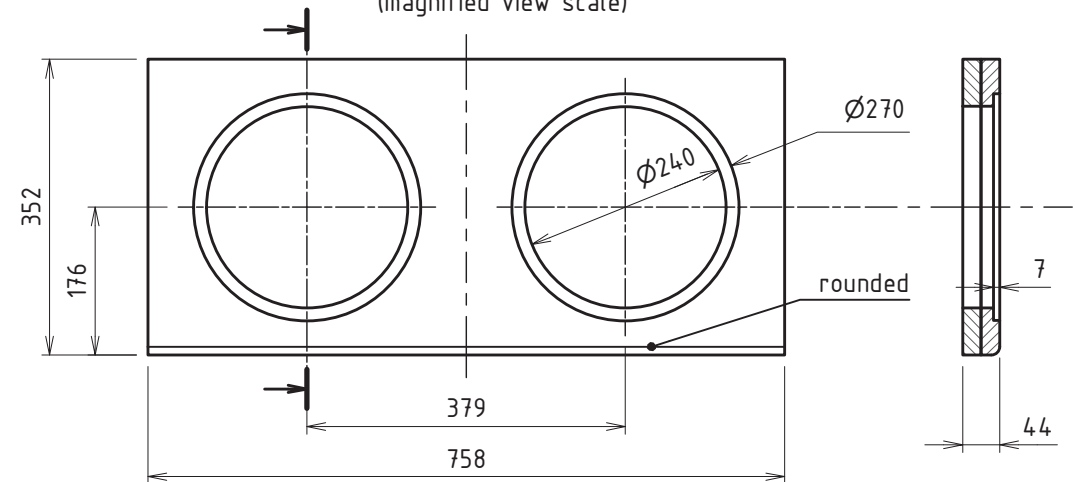


Stiffening (x2)



Front Panel

(magnified view scale)



- > Material thickness = 22 mm
- > Stiffening ribs = 35 mm
- > All rounded edges = R 10 mm
- > Always check the actual measurements of the used speaker parts!



Redcatt Subwoofer 10" BR x2  
BPA Reference Enclosure Nr. 1009

Version 1.0  
07.09.2021

Sheet 3 of 3